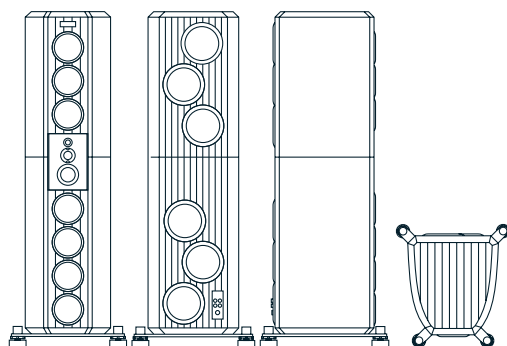




# TECHNICAL SPECIFICATIONS

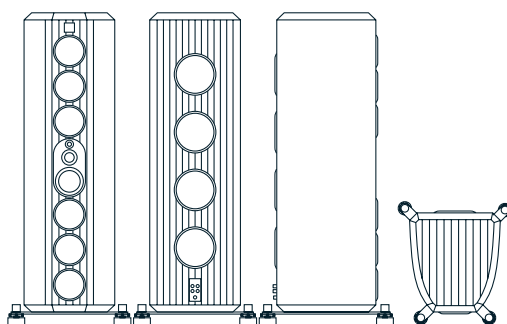
COLTRANE

## Coltrane Supreme 2



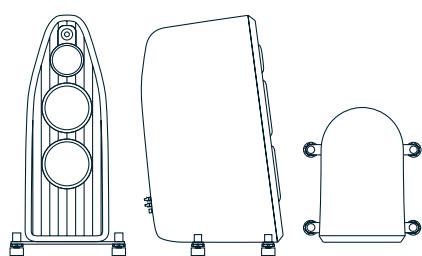
Frequency range 18-100000 Hz +-2dB  
 Power rating 500 W  
 Sensitivity 91 dB / 1 m / 2.83V  
 Impedance 6 ohm (3.2 Ohm min)  
 Type 5-way  
 Drive units 6 x 10" passive sandwich, 7 x 8" alu sandwich, 1 x 5" ceramic, 1 x 2" diamond, 1 x 0.75" diamond  
 Crossover frequency First order: 120, 450, 3500 & 8000 Hz  
 Terminals WBT Nextgen Bi-wire  
 Internal wiring Jorma Design Statement  
 Cabinet 25mm:s carbon fibre laminate sides, 70mm solid laminated wood front, back, top and bottom: Matte Walnut, Matte Cherry, Matte Maple and Matte Oak  
 Stands Mirror polished stainless steel with Marten Isolators  
 Dimensions WxHxD 54 x 200 x 59cm (21.2 x 78.8 x 23.2")  
 Net weight 270 Kg (600 lbs)

## Coltrane Momento 2



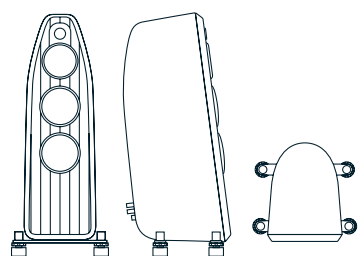
Frequency range 20-100000 Hz +-2dB  
 Power rating 450 W  
 Sensitivity 90 dB / 1 m / 2.83V  
 Impedance 6 ohm (3.7 Ohm min)  
 Type 4-way passive radiators  
 Drive units 4 x 10" passive alu sandwich, 6 x 8" alu sandwich, 1 x 7" ceramic, 1 x 2" diamond, 1 x 0.75" diamond  
 Crossover frequency First order: 350, 3500 & 8000 Hz  
 Terminals WBT Nextgen Bi-wire  
 Internal wiring Jorma Design - optional Statement  
 Cabinet 25mm:s carbon fibre laminate sides, 70mm solid laminated wood front, back, top and bottom: Matte Walnut, Matte Cherry, Matte Maple and Matte Oak  
 Stands Mirror polished stainless steel with Marten Isolators  
 Dimensions WxHxD 54 x 182 x 59 cm (21.3" x 71.7" x 23.2")  
 Net weight 210 Kg (467 lbs)

## Coltrane 3



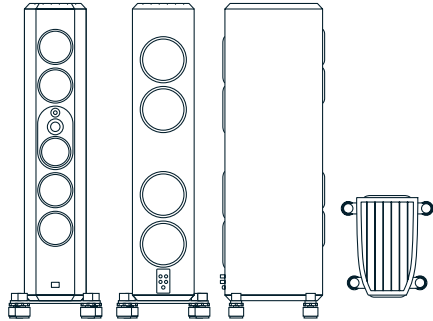
Frequency range 20-60000 Hz +-2dB  
 Power rating 350 W  
 Sensitivity 88 dB / 1 m / 2.83V  
 Impedance 6 ohm (3.7 Ohm min)  
 Type 3-way bass reflex  
 Drive units 2 x 10" aluminium sandwich , 1 x 7" ceramic, 1 x 1" diamond  
 Crossover frequency First order: 320 & 3800 Hz  
 Terminals WBT Nextgen Bi-wire  
 Internal wiring Jorma Design - optional Statement  
 Cabinet 25 mm:s carbon fibre laminate cabinet, 68 mm laminated wood/aluminium front: Warm Grey, Dark Grey, Dark Gold, Silver, Matte Oak, Matte Walnut and Piano Black  
 Stands Mirror polished stainless steel with Marten Isolators  
 Dimensions WxHxD 39.5 cm x122 cm x 64 cm (15.5" x 48.0" x 25.2")  
 Net weight 87 Kg (184 lbs)

## Coltrane Tenor 2



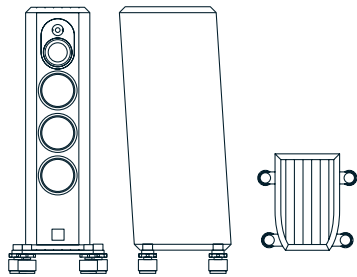
Frequency range 24-80000 Hz +-2dB  
 Power rating 300 W  
 Sensitivity 86 dB / 1 m / 2.83V  
 Impedance 6 ohm (3.5 Ohm min)  
 Type 3-way bass reflex  
 Drive units 2 x 8" aluminium sandwich, 1 x 7" ceramic, 1 x 0.75" diamond  
 Crossover frequency First order, 360 & 4000Hz  
 Terminals WBT Nextgen Bi-wire  
 Internal wiring Jorma Design - optional Statement  
 Cabinet 20 mm:s carbon fibre laminate cabinet, 68 mm laminated wood/aluminium front: Warm Grey, Dark Grey, Dark Gold, Silver, Matte Oak, Matte Walnut and Piano Black  
 Stands Mirror polished stainless steel with Marten Isolators  
 Dimensions WxHxD 31 x 114 x 40 cm (12.2 x 44.9 x 15.7")  
 Net weight 57 Kg (127 lbs)

Mingus Orchestra



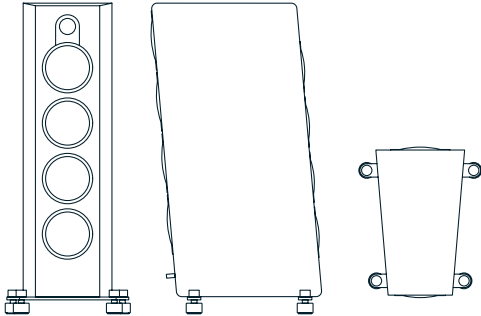
Frequency range	22-100000 Hz +-2dB
Power rating	450 W
Sensitivity	89 dB / 1 m / 2.83V
Impedance	6 ohm (3.1 Ohm min)
Type	4-way
Drive units	4 x 10" passive alu sandwich, 4 x 8" alu sandwich, 1 x 7" pure ceramic, 1 x 2" pure diamond, 1 x 0.75" pure diamond
Crossover frequency	First order: 350, 3800 & 8000 Hz
Terminals	WBT Nextgen Bi-wire
Internal wiring	Jorma Design - optional Statement
Cabinet	25-42 mm fibre laminate Piano Black, with solid Zebrano wood top and bottom
Stands	Mirror polished stainless steel with Marten Isolators
Dimensions WxHxD	29 x 171 x 42 cm (11.4 x 67.3 x 16.5")
Net weight	130 Kg (288 lbs)

Mingus Quintet 2



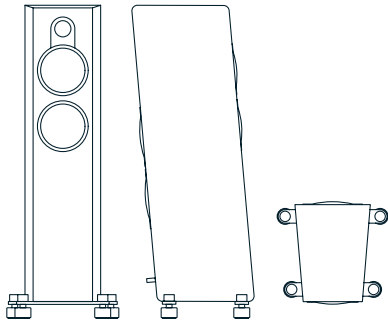
Frequency range	24-100000 Hz +-2dB
Power rating	300 W
Sensitivity	88 dB / 1 m / 2.83V
Impedance	6 ohm (3.4 Ohm min)
Type	3-way bass reflex
Drive units	3 x 7" aluminium sandwich , 1 x 5" ceramic, 1 x 0.75" diamond
Crossover frequency	First order: 370 & 4000 Hz
Terminals	WBT Nextgen Single-wire
Internal wiring	Jorma Design
Cabinet	25-40 mm:s fibre laminate cabinet
Stands	Mirror polished stainless steel with Marten Isolators
Dimensions WxHxD	28 x 109 x 38 cm (11" x 42.9" x 15")
Net weight	63 kg (140 lbs)

**Parker Quintet**



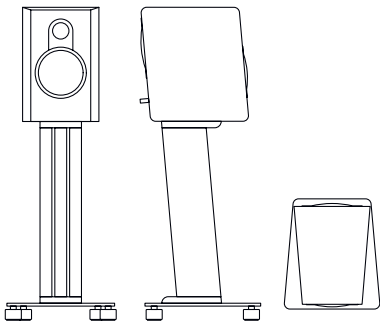
Frequency range	24-40000 Hz +-2dB
Power rating	350 W
Sensitivity	93 dB/2.83 V
Impedance	4 ohms (2.7 Ohms min)
Type	2.5-way
Drive units	1" pure ceramic tweeter (upgradable to Diamond) 4 x 7.5" ceramic bass/midrange 4 x 9" Aluminium passive radiator
Crossover frequency	Multi diverse order, 2200 Hz
Terminals	WBT Nextgen Single-wire
Internal wiring	Jorma Design
Cabinet	35 mm M-board Piano Walnut, Matte Walnut, Piano Black and Piano White
Stands	Mirror polished stainless steel with Marten Isolators
Dimensions WxHxD	24 - 33 x 117 x 54 cm (9.4" - 13" x 46" x 21.3")
Net weight	60 kg (133 lbs)

**Parker Trio**



Frequency range	26-40000 Hz +-2dB
Power rating	300 W
Sensitivity	91 dB/2.83 V
Impedance	6 ohms (3.1 Ohms min)
Type	2.5-way
Drive units	1" pure ceramic tweeter (upgradable to Diamond) 2 x 7.5" ceramic bass/midrange 2 x 9" Aluminium passive radiator
Crossover frequency	Multi diverse order, 2200 Hz
Terminals	WBT Nextgen Single-wire
Internal wiring	Jorma Design
Cabinet	35 mm M-board Piano Walnut, Matte Walnut, Piano Black and Piano White
Stands and feet	Mirror polished stainless steel with Marten Isolators
Dimensions WxHxD	22 - 28 x 117 x 36 cm (8.7" - 11" x 46" x 14.2")
Net weight	40 kg (89 lbs)

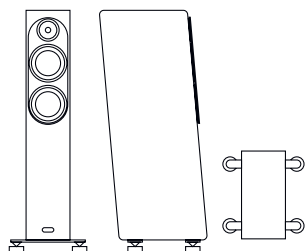
**Parker Duo**



Frequency range	36-40000 Hz +-2dB
Power rating	200 W
Sensitivity	88 dB/2.83 V
Impedance	6 ohms (3.1 Ohms min)
Type	2-way
Drive units	1" pure ceramic tweeter (upgradable to Diamond) 7.5" ceramic bass/midrange 9" Aluminium passive radiator
Crossover frequency	Multi diverse order, 2200 Hz
Terminals	WBT Nextgen Single-wire
Internal wiring	Jorma Design
Cabinet	35 mm M-board Piano Walnut, Matte Walnut, Piano Black and Piano White
Dimensions WxHxD	22 - 28 x 42 x 36 cm (8.7" - 11" x 16.5" x 14.2")
Net weight	18 kg (40 lbs)
Stands and feet (optional)	Matte Black with mirror polished Marten Isolators 35 - 28 x 75 x 40 cm (13.8" - 11" x 29.5" x 15.7") 21 kg (46 lbs)

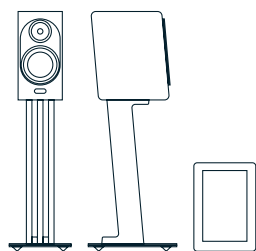
OSCAR

Oscar Trio



Frequency range	27-20000 Hz +-3dB
Power rating	250 W
Sensitivity	89 dB / 1 m / 2.83V
Impedance	6 ohm (3.1 Ohm min)
Type	2-way
Drive units	2 x 7" ceramic, 1 x 1" ceramic
Crossover frequency	Second order 2500 Hz
Terminals	WBT Nextgen Single-wire
Internal wiring	Jorma Design
Cabinet	25 mm fibre laminate Matte Walnut, Piano Black or Piano White
Stands	Brushed Aluminium with Marten Pucks and Cones
Dimensions WxHxD	20 x 109 x 40 cm (11.4 x 42.9 x 15.7")
Net weight	30 Kg (67 lbs)

Oscar Duo



Frequency range	37-20000 Hz +-3dB
Power rating	150 W
Sensitivity	86 dB / 1 m / 2.83V
Impedance	6 ohm (3.1 Ohm min)
Type	2-way
Drive units	1 x 7" ceramic, 1 x 1" ceramic
Crossover frequency	Second order 2500 Hz
Terminals	WBT Nextgen Single-wire
Internal wiring	Jorma Design
Cabinet	25 mm fibre laminate Matte Walnut, Piano Black or Piano White
Dimensions WxHxD	20 x 40 x 32 cm (7.9 x 15.7 x 12.6")
Net weight	13 Kg (29 lbs)

Our speakers are proudly designed and crafted in Sweden using custom technology and fine materials.

For more information visit [marten.se](http://marten.se)

Marten  
 Flöjelbergsgatan 18  
 431 37 Mölndal  
 Sweden

Tel +46 31 20 72 00  
[info@marten.se](mailto:info@marten.se)  
[facebook.com/martenaudio](https://facebook.com/martenaudio)  
[youtube.com/Martenaudio](https://youtube.com/Martenaudio)  
[instagram.com/marten.audio](https://instagram.com/marten.audio)